

NCA

High pressure vise

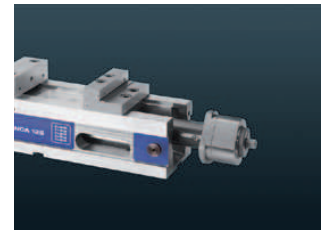
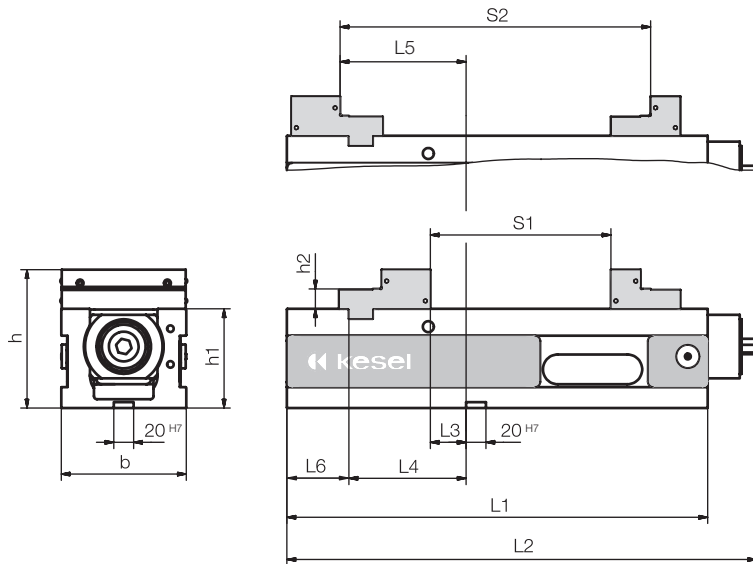
ALLMATIC compatible and with mechanical force intensifier

ALLMATIC compatible jaw interface

- > Clamping range adjustment only through cranks (no jaw offsetting necessary)
- > Jaw arrangement guarantees the maximum in precision
- > Spindle unit quick release system
- > Kesel step-click ledge system
- > Maintenance-free, encapsulated spindle with mechanical force intensifier
- > Precise clamping force pre-selection
- > Strong body of spheroidal graphite iron GJS-600
- > Guide rails hardened and ground

Scope of delivery:

- 4 clamping claws
- 1 manual crank



Quick removal of the spindle unit possible:

- > Allowing vise body to be easily fitted to machine table
- > Optimum cleaning possibilities



Step ledge quick release system

- > Step ledges are simply "clicked" in by hand, with no need for tools
- > No penetration of chips beneath the step ledge



Angle drive

- > Operation via table with pre-screwed angle drive (accessory)
- > Optimum accessibility for force adjustment

Jaw width	Order number		Clamping force in kN	Width B in mm	Height h in mm	Height h1 in mm	Height h2 in mm	Weight in kg
	horizontal use	can be clamped on 3 planes						
NCA 90	04.25.065.0000	on demand	28	90	114	80	16	15
NCA 125	04.25.165.0000	04.25.165.0002	40	126	139,5	100	20	35
NCA 160	04.25.265.0000	04.25.265.0002	60	164	164,8	115	25	60
L1	L2	L3	L4	L5	L6	S1	S2	
305	340	15	73	75	39	0-126	91-217	
424	483	36	118	127	62,5	0-182	131-313	
560	616	70	164	178	70	17-263	187-433	

NCA accessories



Smooth clamping jaw hardened, ground, standard equipment
Smooth clamping jaw soft (1.2842), milled, for the fabrication of moulding jaws

Clamping jaw with linear grooves for firmly gripping the workpieces

Size	Order no. Smooth clamping jaw hardened	Height	Thick- ness
90	01.25.065.1000	34	10
125	01.25.152.014.4	39,2	12
160	01.10.201.004.4	49,2	16
Smooth clamping jaw soft			
90	01.25.065.1001	34	12
125	01.11.105.002.5	39,2	12
160	01.11.205.002.4	49,2	16
Clamping jaw with linear grooves			
90	01.25.065.1002	34	10
125	01.11.105.001.5	39,2	12
160	01.11.205.001.5	49,2	16

Smooth clamping jaw with step, hardened and ground, for saving clamping supports

Size	Order no.	Step	Thick- ness	Height
125	01.11.105.003.5	3 x 6	12	39,2
125	01.11.105.008.5	5 x 10	12	39,2
160	01.11.205.003.4	5 x 8	16	49,2

Clamping jaw with corrugation hardened and ground

Size	Order no.	Height	Thick- ness	Gripper Order no.	Thread
90	01.25.065.1003	34	12	01.26.160.048.4	M10
125	01.26.160.035.3	40	12	01.26.160.048.4	M10
160	01.26.260.030.3	50	16	01.26.260.080	M12

Grip clamping jaw, hardened, with step

Size	Order no.	Height	Thickness	Step
125	01.25.150.0002	40	12	3x3
160	01.25.260.0004	50	16	3x5

NCA accessories



Prism jaws with horizontal and vertical prism 90° hardened and ground

Size I	Order no.	Height	Thick- ness	Clamping diameter	
				with 1 jaw	with 2 jaw
90	01.25.065.1004	36	17	ø 12-14	ø 18-42
125	01.11.105.004.4	39,2	28	ø 15-42	ø 24-42
160	01.11.205.004.3	49,2	32	ø 18-50	ø 28-50

Pull-down jaws smooth, the workpiece is hold securely, with a deep drawing effect

Size	Order no.	Height	Thickness
90	04.25.065.1000	34	24
125	04.13.125.200.9	39,2	25
160	04.13.160.200.9	49,2	28

Pull-down jaws for raw parts with inset spring plate for clamping raw parts. The spring plate establish a secure hold and deep drawing effect

Size	Order no.	Height	Thickness
90	04.25.065.1001	34	18
125	04.13.125.250.9	40	21
160	04.13.160.250.9	50	24

Multi-jaws flexible in use for grip application, as well as pendulum jaws and support elements

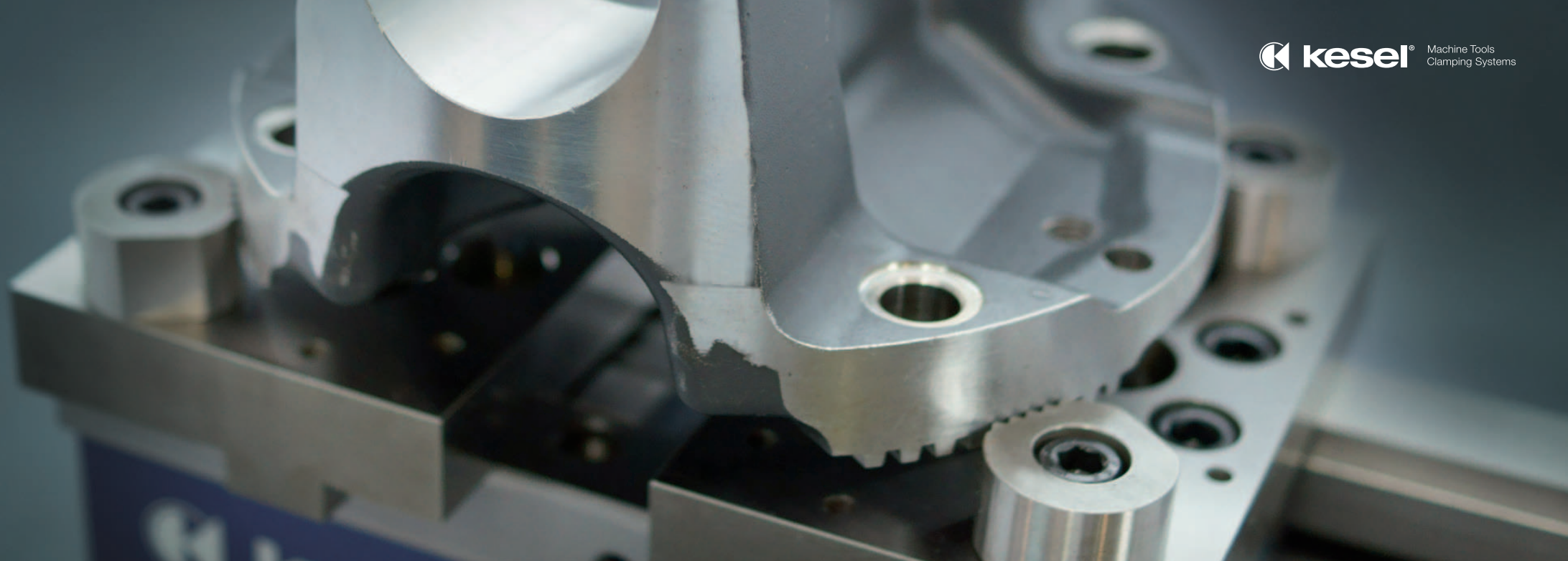
Size	Fixed Order no.	clamping range	Length	Width	Height
90	04.25.065.1002	7 - 220	145	90	25
125	04.25.165.1000	14 - 335	170	105	25
160	04.25.265.1000	29 - 463	200	115	25

Size	Mobile Order no.	clamping range	Length	Width	Height
90	04.25.065.1003	7 - 220	145	90	25
125	04.25.165.1001	14 - 335	170	105	25
160	04.25.265.1001	29 - 463	200	115	25

Pendulum jaw fits to multi-jaw mobile for clamping non-parallel workpieces, cast parts and shaped workpieces

Scope of delivery: with 2 x hard metal grip insert

For Size	Order no.	clamping range	Length	Width	Height
90	04.25.065.1004	6 - 205	141	50	20
125	04.25.150.052	18 - 275	156	65	20
160	04.25.265.1002	22 - 418	196	76	23



NCA accessories



Angle drive for high pressure machine vises Kesel NCA

For size	Order no.	Length	Allen
90	02.25.065.0002	12	12
125	02.25.165.0002	33	14
160	32.25.265.0006	49	14



Step ledges

For size	Order no.	Height	Thickness
90	03.25.065.1000	14	3
90	03.25.065.1001	30	3
125	03.26.160.002.9	39	3
125	04.25.150.060	35	3
125	04.25.150.061	15	3
160	03.25.260.022.9	14	3
160	03.25.260.023.9	30	3
160	03.25.260.024.9	44	3



Manual crank standard version

Size	Order no.	Length	Allen
90	03.25.065.0001	160	12
125 /160	03.25.165.0001	160	14

without foto

Extension, for increasing the clamping range, suitable for NCA all sides

For size	Order no.	Height	Length	for clamping range
125	02.25.165.0005	100	176	0-490 mm
160	on demand	115	237	17-675 mm



Workpiece stop adjustable

For size	Order no.	Thread
90 - 160	03.11.008.001.4	M 12



Sub-base

For size	Order no.
90-160	on demand